

falmec



Design

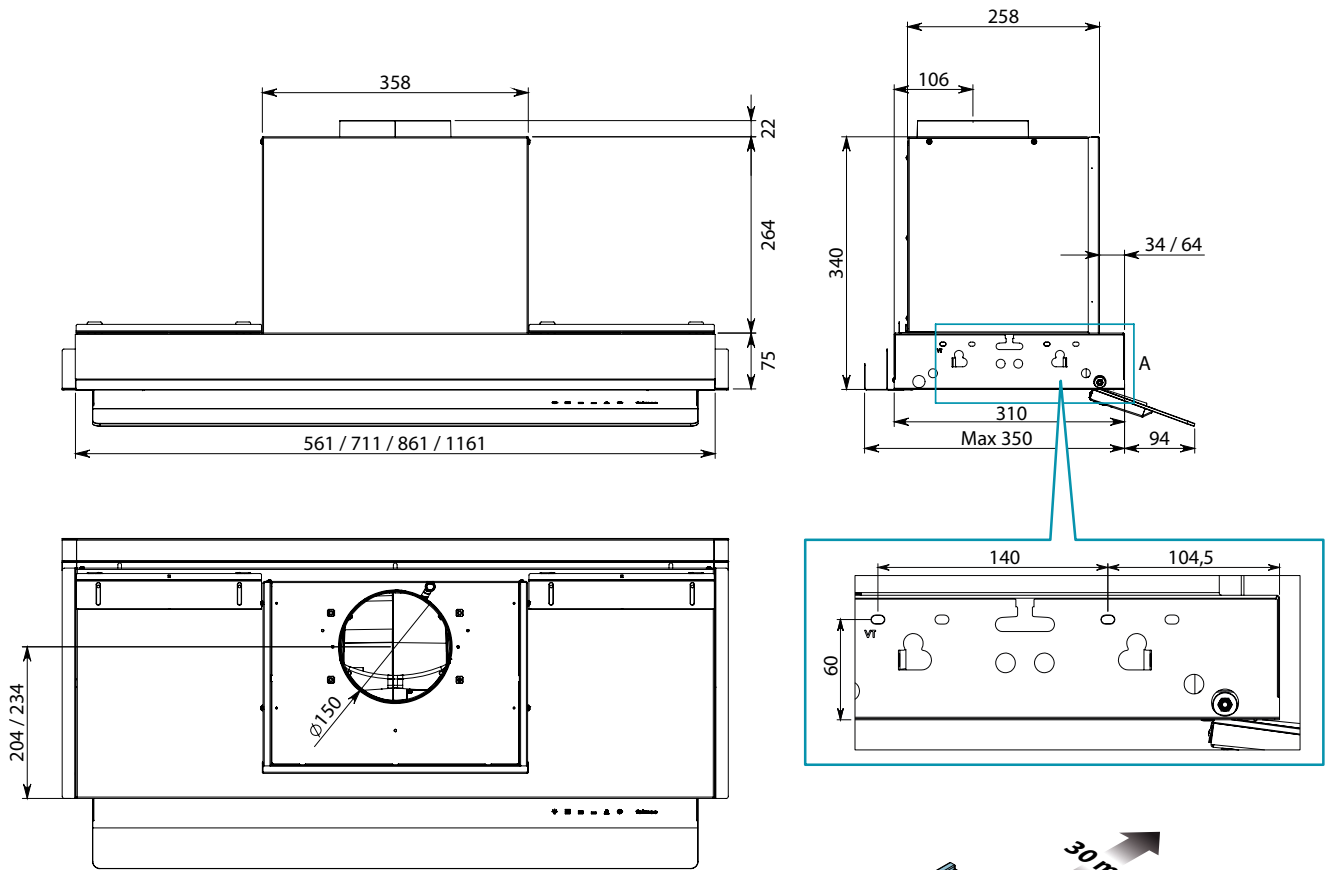
Virgola Touch Comfort

INSTRUCTIONS BOOKLET


LIBRETTO ISTRUZIONI ^{IT}
INSTRUCTIONS BOOKLET ^{EN}
GEBRAUCHSANWEISUNG ^{DE}
MODE D'EMPLOI ^{FR}
MANUAL DE INSTRUCCIONES ^{ES}

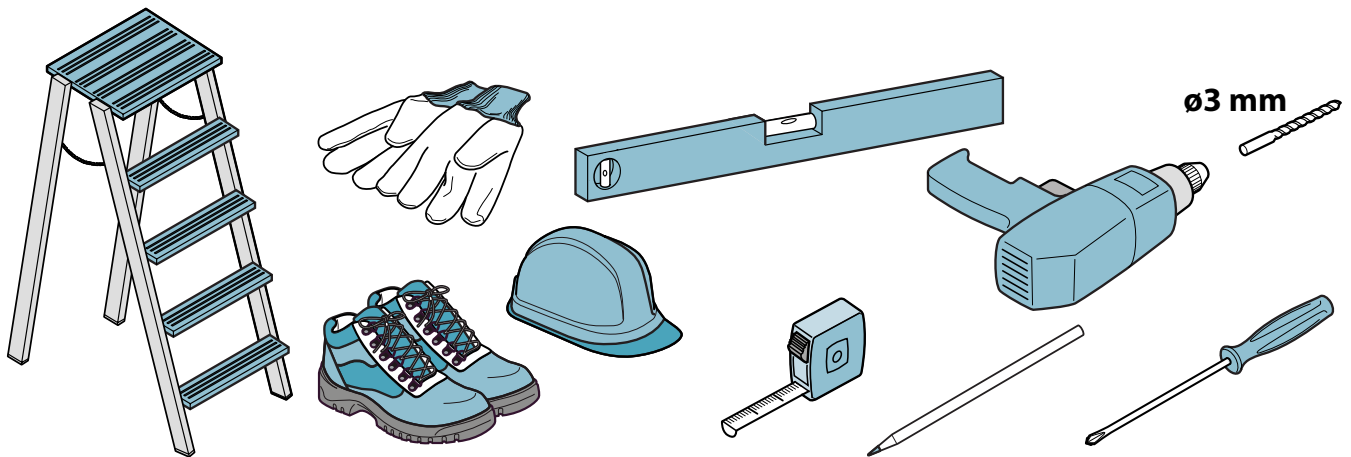
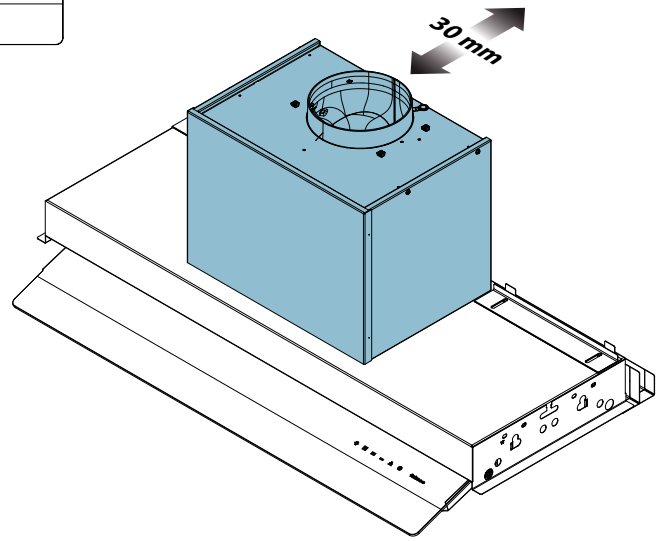
ИНСТРУКЦИИ ^{RU}
INSTRUKCJA OBSŁUGI ^{PL}
HANDLEIDING ^{NL}
MANUAL DE INSTRUÇÕES ^{PT}
BRUGSANIVSNINGER ^{DA}

INSTRUKTIONSBOK ^{SV}
OHJEKIRJA ^{FI}
BRUKSANVISNING ^{NO}

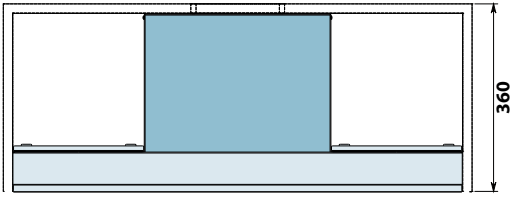


800
m³/h

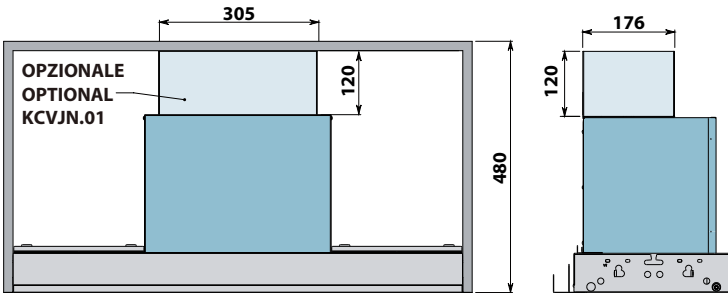
-  60: 10 kg
-  75: 12 kg
-  90: 14 kg
-  120: 17 kg



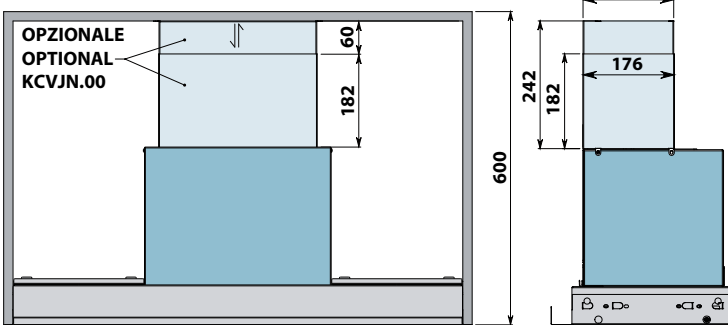
Mobile / Cabinet h: 360mm



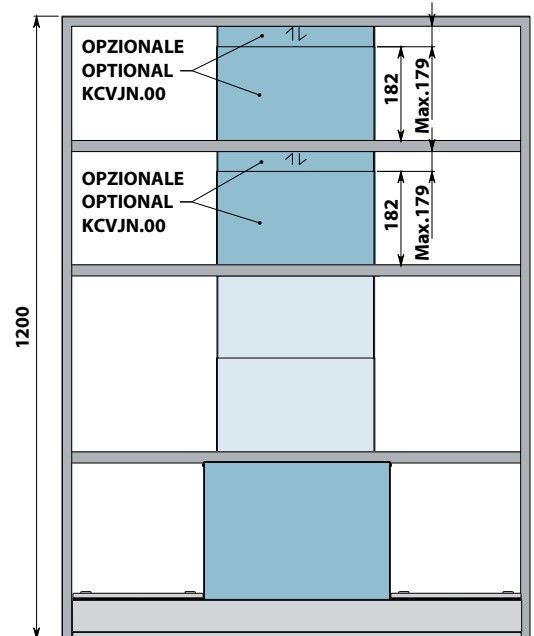
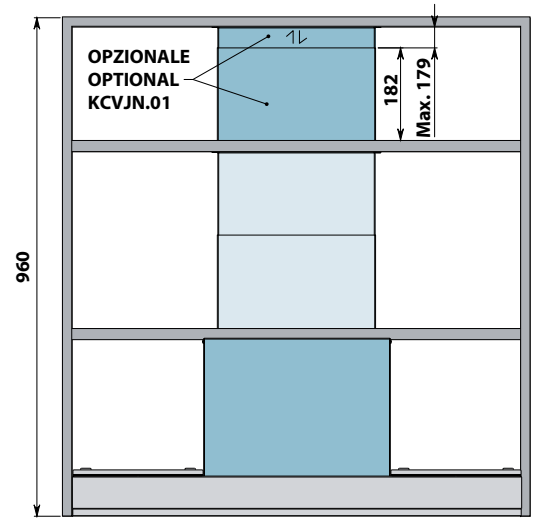
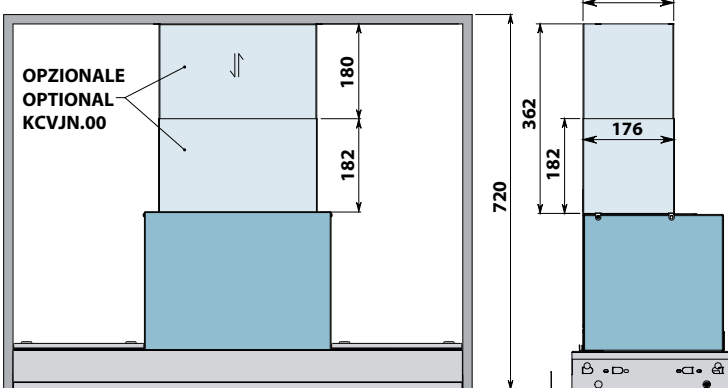
Mobile / Cabinet h: 480mm



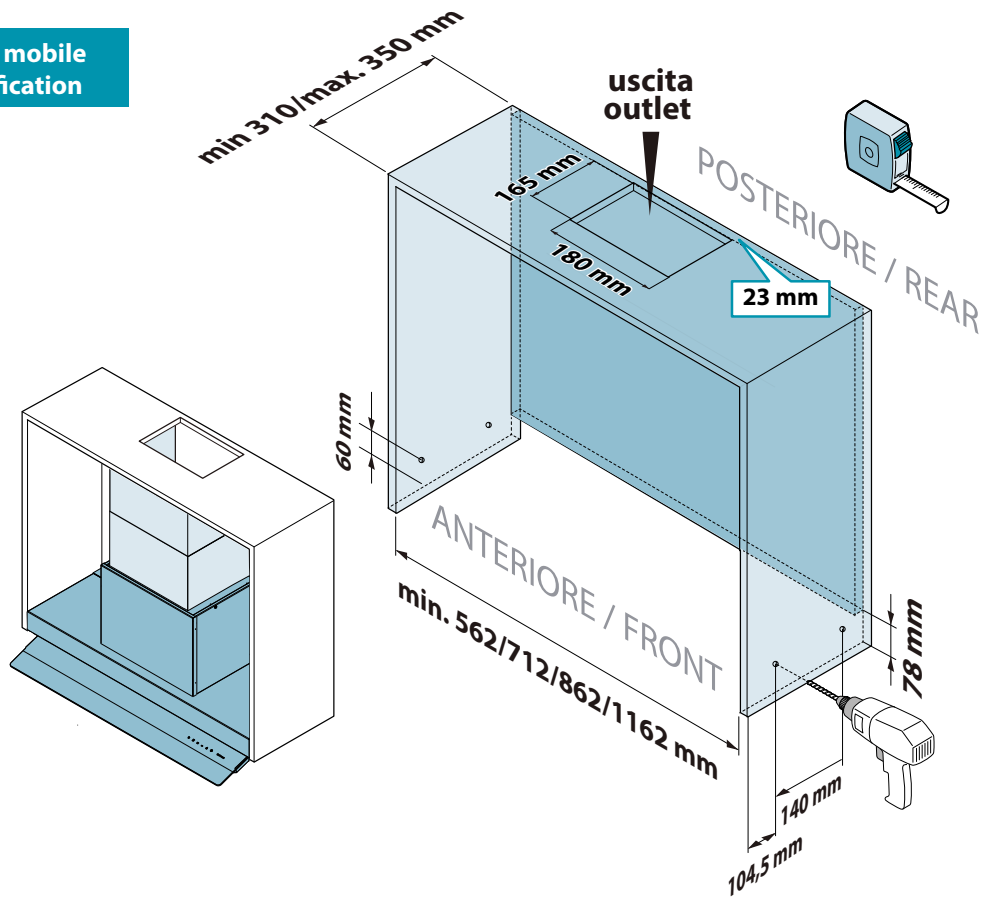
Mobile / Cabinet h: 600mm



Mobile / Cabinet h: 720mm



Specifiche del mobile
Cabinet specification



IT - Misure per l'installazione.

EN - Measurements for installation. Hood fastening.

DE - Maßangaben für die Installation.

FR - Mesures pour l'installation. Fixation de la hotte.

ES - Medidas para la instalación. Fijación de la campana.

RU - Размеры для установки. Крепление вытяжки.

PL - Środki montażowe. Mocowanie okapu.

NL - Maten voor de installatie. Kapbevestiging.

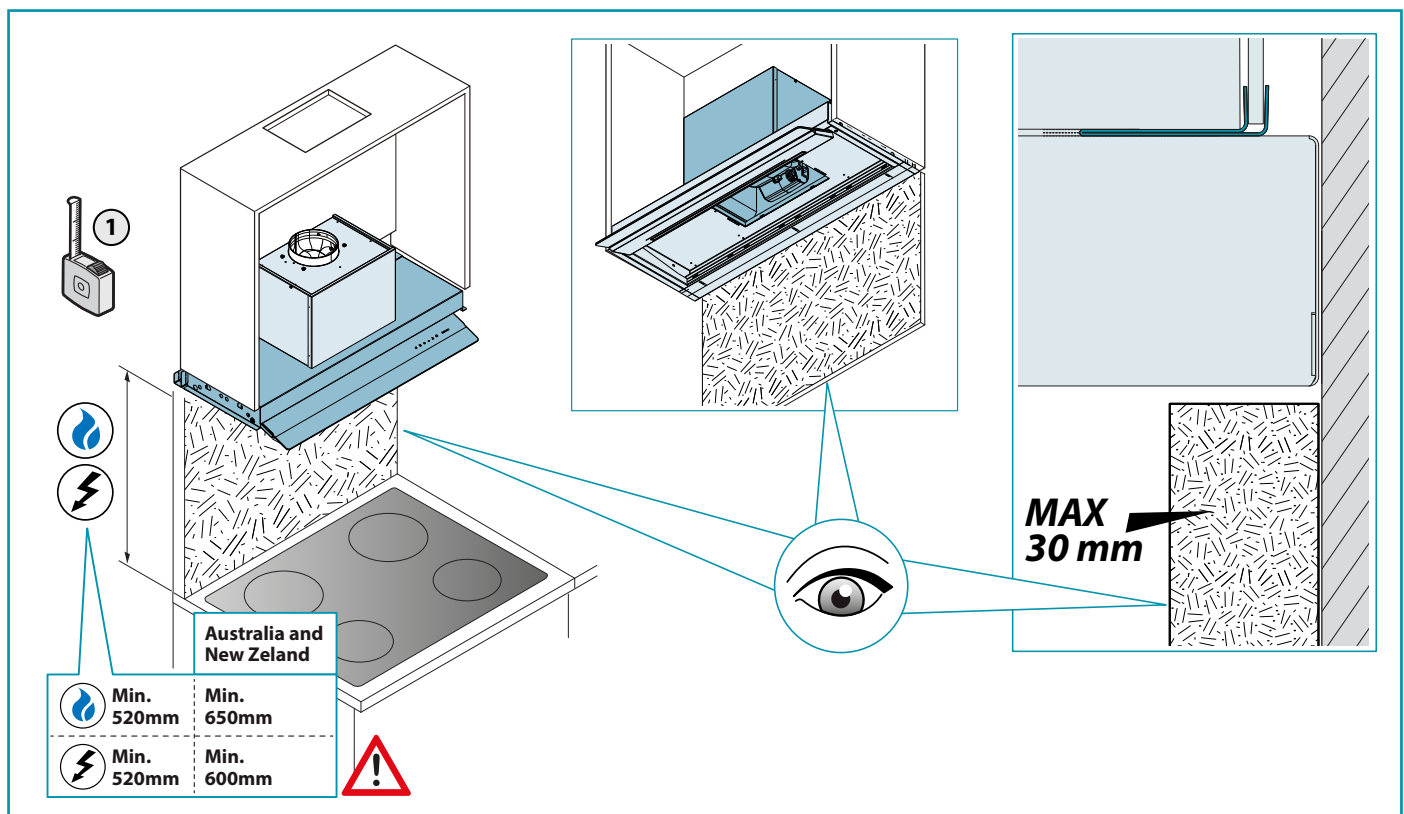
PT - Medidas para a instalação. Fixação do exaustor.

DA - Mål for installation. Fastgørelse af emhætten.

SV - Installationsåtgärder. Fästning av kåpan.

FI - Mitat asennusta varten. Liesituulettimen kiinnitys.

NO - Installasjonsmål. Feste av ventilatorhette.



IT - Montaggio cappa nel pensile.

EN - Hood assembly in the wall unit.

DE - Montage der Abzugshaube im Oberschrank.

FR - Montage de la hotte dans le meuble suspendu.

ES - Montaje de la campana en el mueble.

RU - Монтаж вытяжки в навесном шкафу.

PL - Montaż okapu w szafce ściennej.

NL - De kap monteren in de bovenkast.

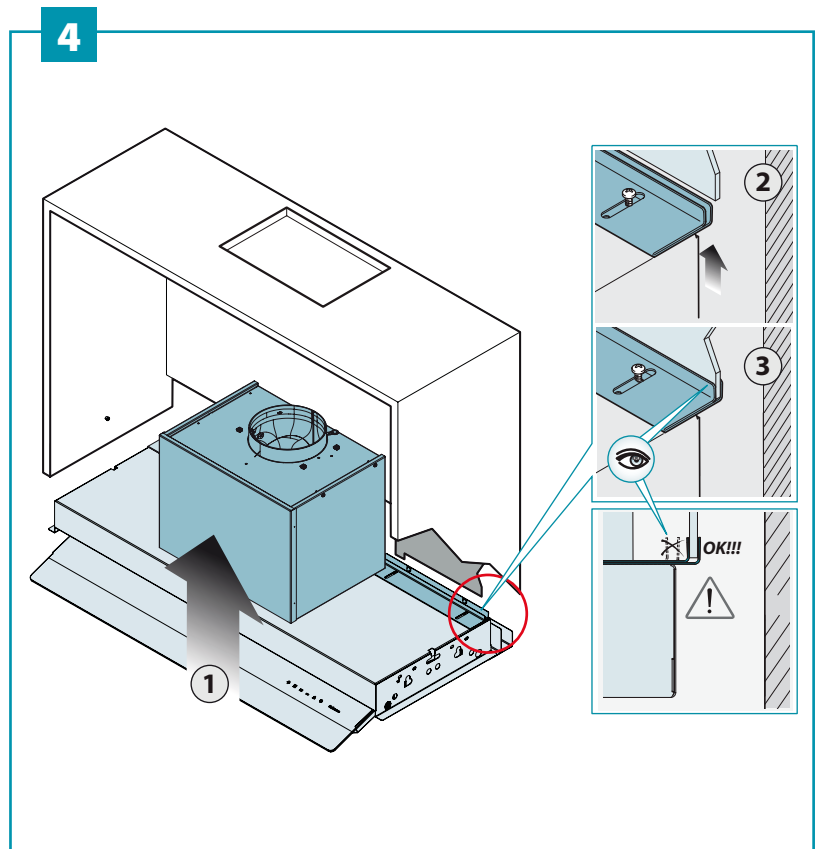
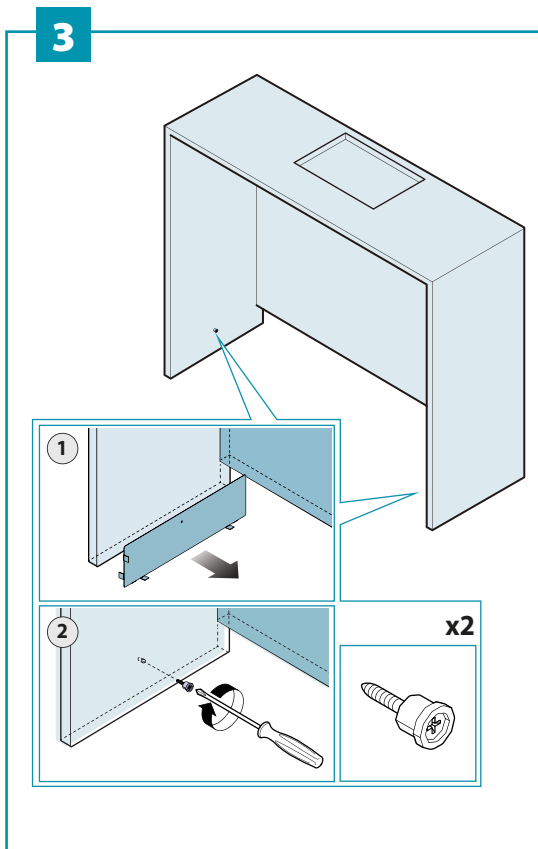
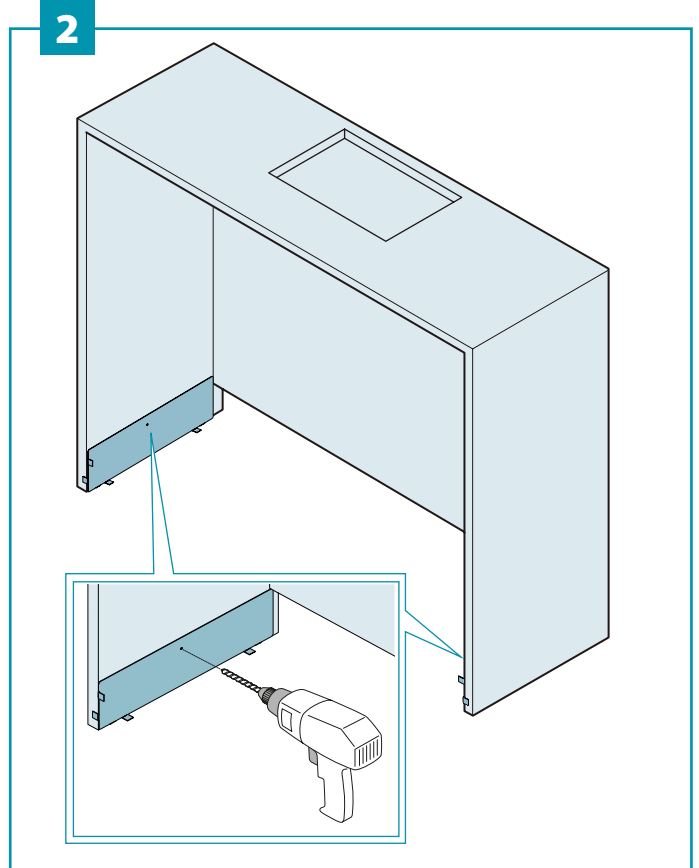
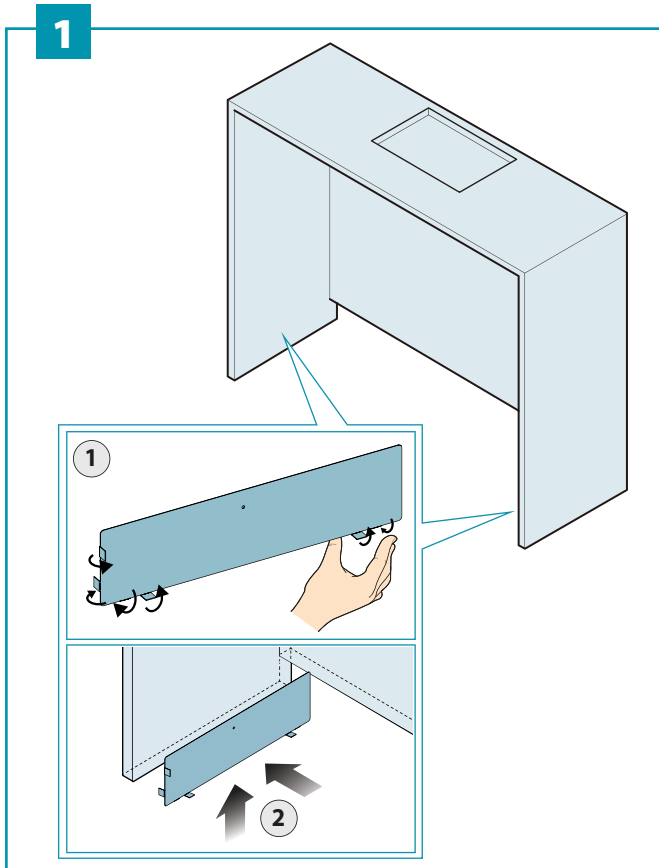
PT - Montagem do exaustor no elemento suspenso.

DA - Montering af emhætten i overskab.

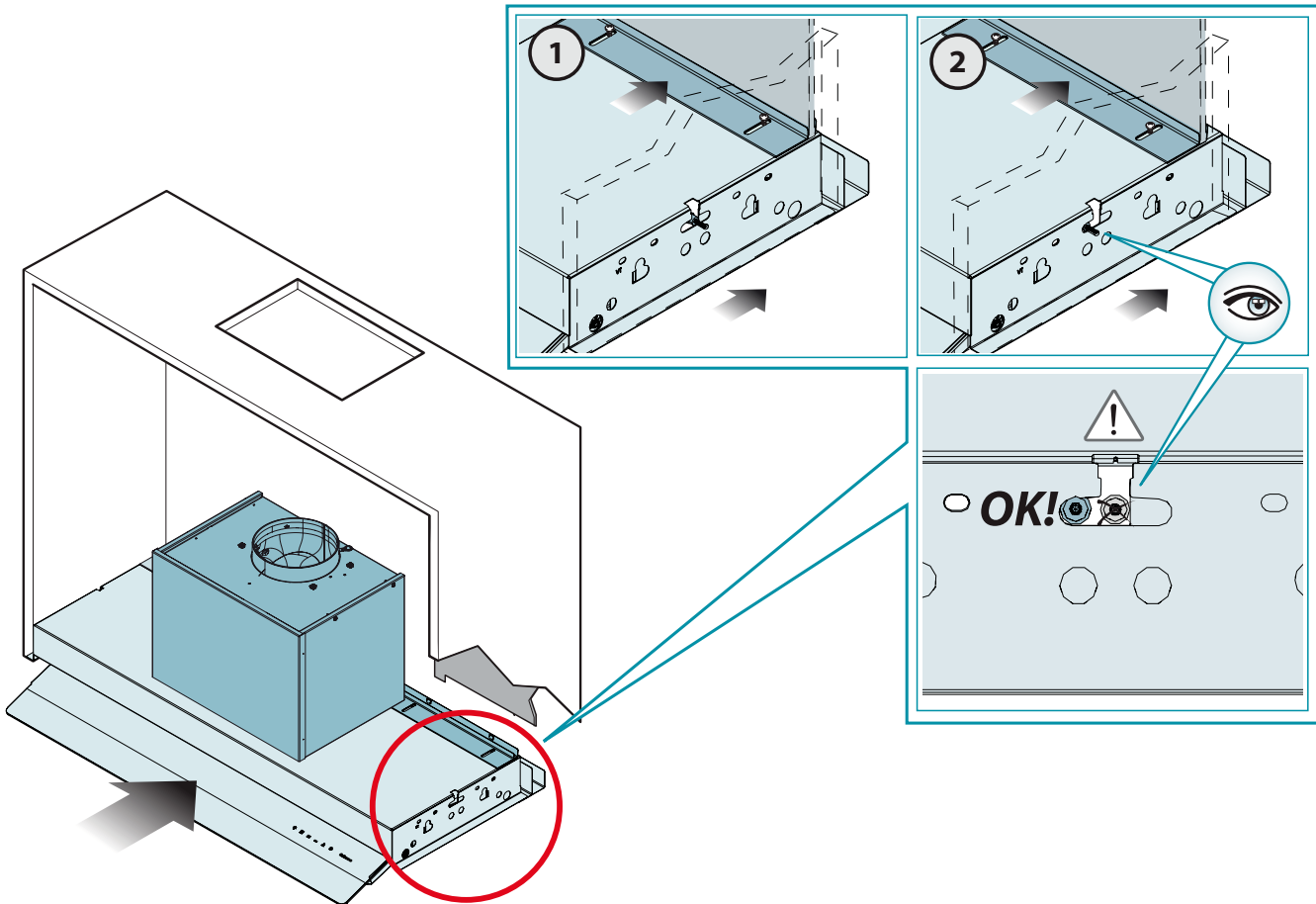
SV - Montering av spiskåpa i skåpet.

FI - Liesituulettimen asentaminen hyllykköön.

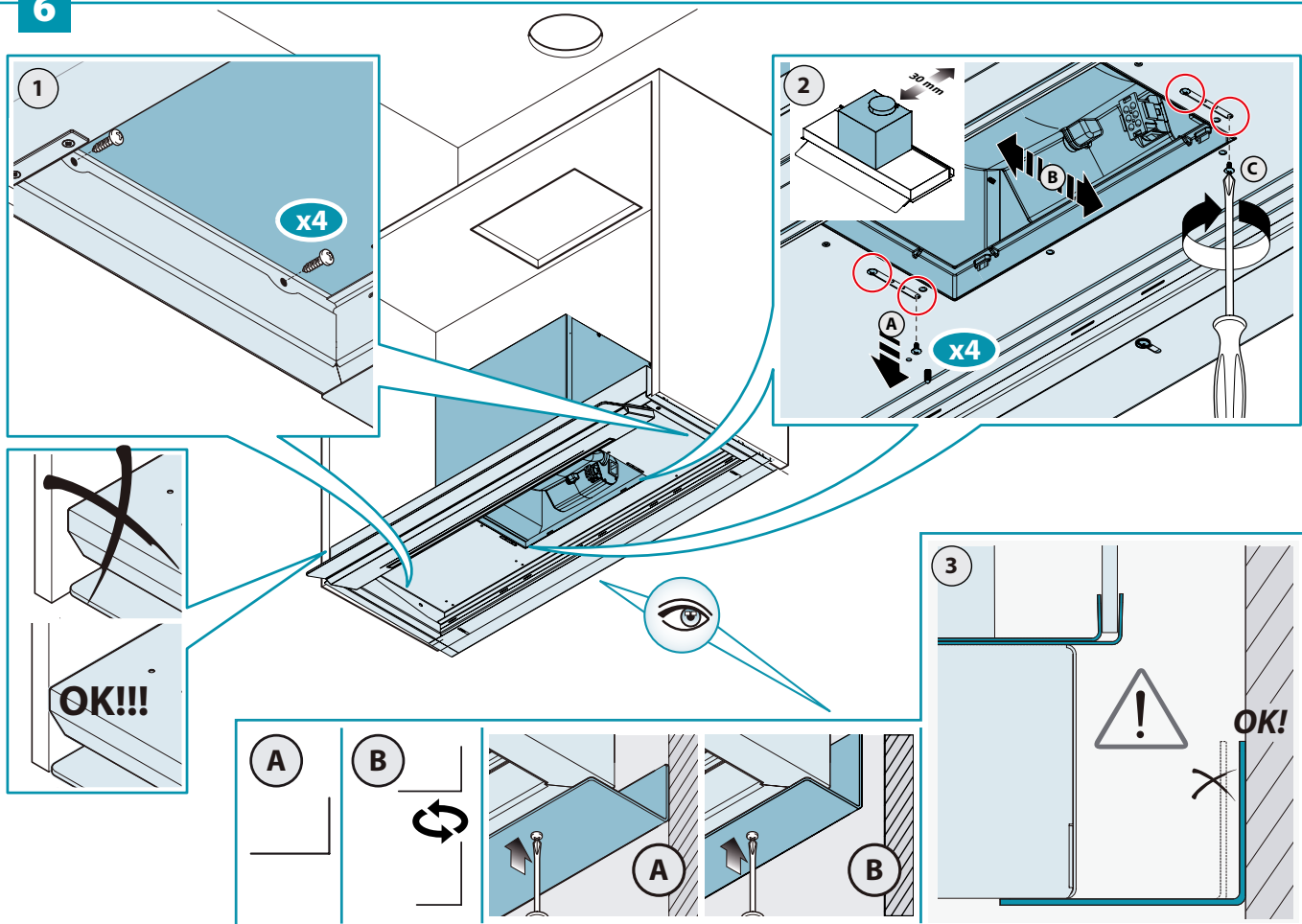
NO - Montering av ventilatorhetten i veggskapet.



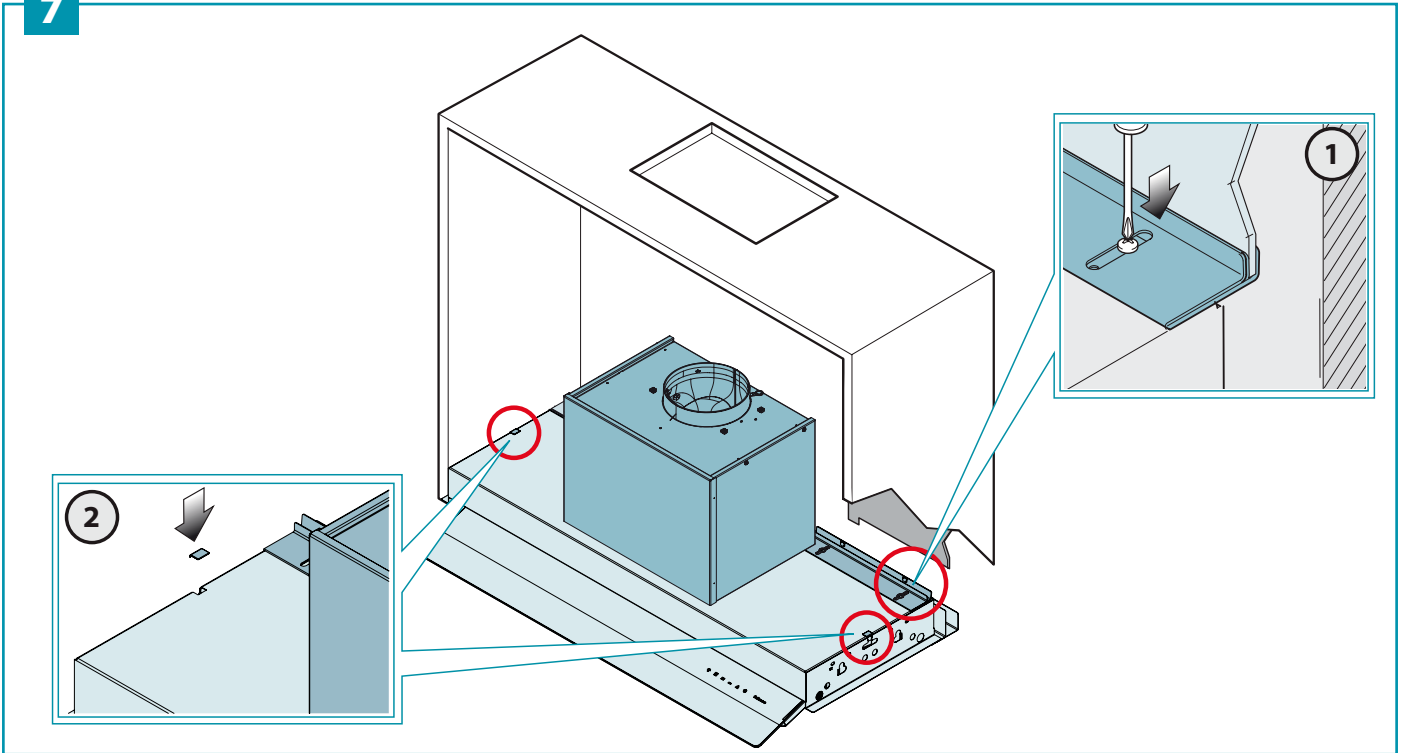
5



6



7



IT - Installazione valvola di non ritorno (4).
Montaggio tubo d'aspirazione (5).

RU - Установка обратного клапана (4).
Установка трубы вытяжки (5).

SV - Installation av backventil (4).
Montering av fläktröret (5).

EN - Installation of check valve (4).
Assembly of the suction pipe (5).

PL - Instalacja zaworu zwrotnego (4).
Montaż rury ssącej (5).

FI - Vastaventtiilin (4).
Imuputken asennus (5).

DE - Installation des Rückschlagventils (4).
Montage des Ansaugrohrs (5).

NL - Installatie keerklep (4).
Montage aanzuigbuis (5).

NO - Installasjon av tilbakeslagsventil (4).
Montering av oppsugingsrør (5).

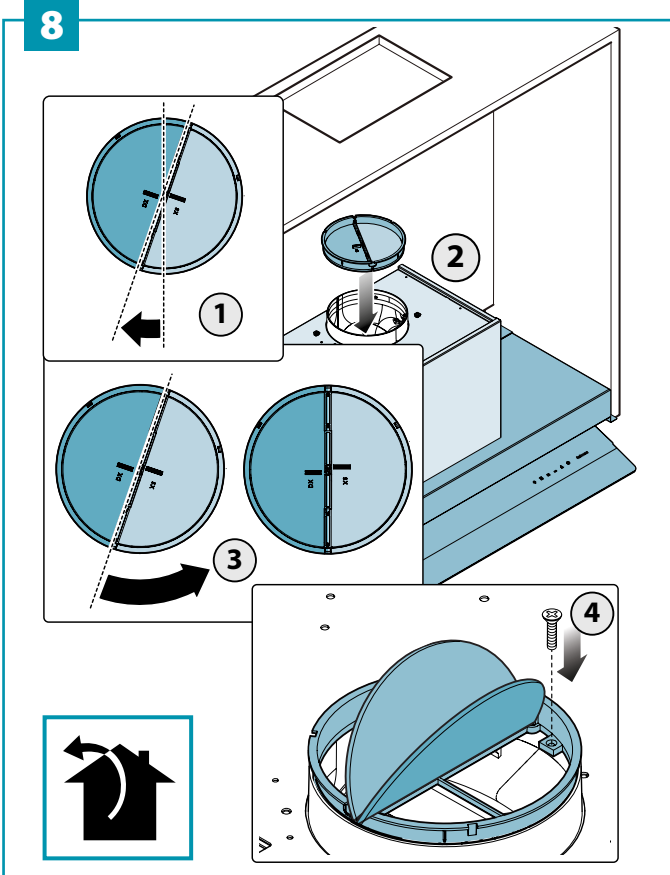
FR - Installation clapet de non retour (4).
Montage du tuyau d'aspiration (5).

PT - Instalação da válvula de não retorno (4).
Montagem do tubo de aspiração (5).

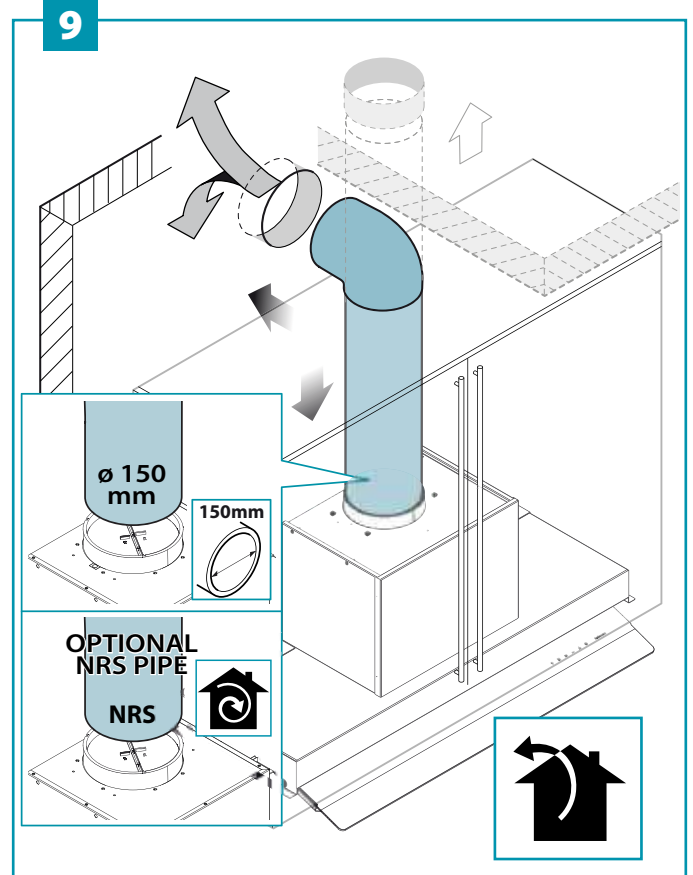
ES - Instalación de la válvula de no-retorno (4).
Montaje de tubo de succión (5).

DA - Installation af kontraventil (4).
Montering af udsugningsrør (5).

8



9



IT - Montaggio carter di copertura e collegamento elettrico (6).

EN - Assembly of the duct cover and electrical connections (6).

DE - Montage des Abdeckgehäuses und Elektroanschluss (6).

FR - Montage du panneau et branchement électrique (6).

ES - Montaje de cárter de cobertura y conexión eléctrica (6).

RU - Установка защитного кожуха и электроподключение (6).

PL - Montaż pokrywy maskującej i podłączeń elektrycznych (6).

NL - Montage bedekking carter en elektrische aansluiting (6).

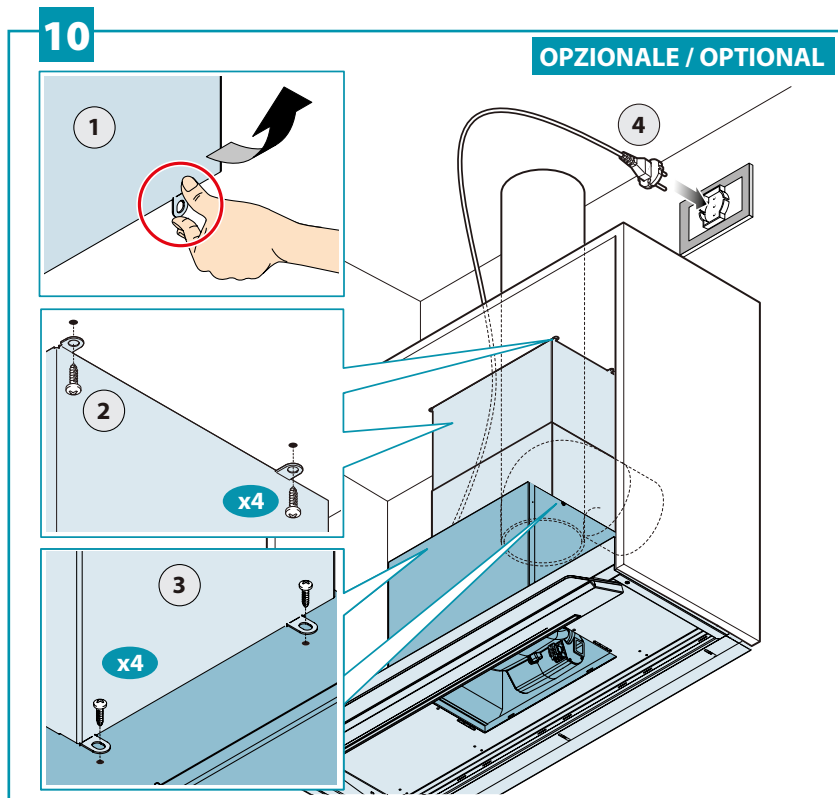
PT - Montagem do cárter de cobertura e ligação elétrica (6).

DA - Montering af afskærmning og elektrisk tilslutning (6).

SV - Montering av täckplåtar och elektrisk anslutning (6).

FI - Suojakuoren asennus ja sähkökytkentä (6).

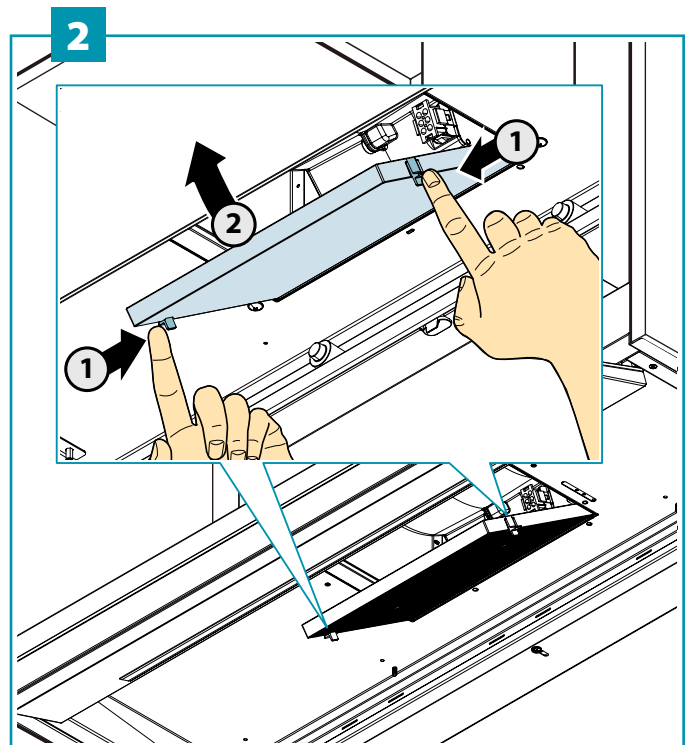
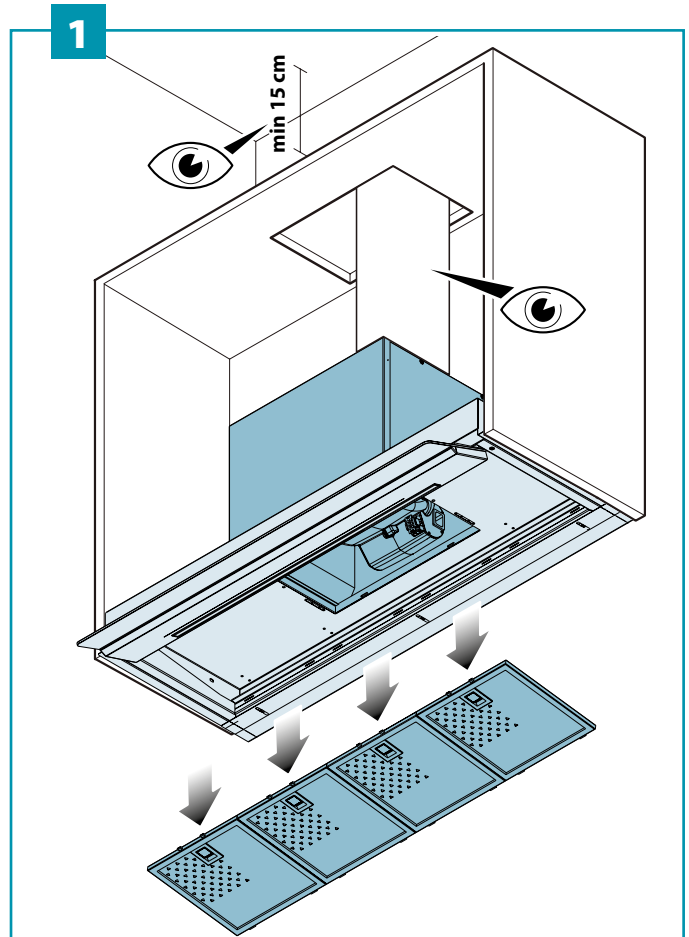
NO - Montering av deksel og elektrisk tilkobling (6).





**FILTRO CARBONE ZEOLITE
(OPZIONALE)
CARBON-ZEOLITE FILTER
(OPTIONAL)**

- IT** - Installazione filtro carbone-zeolite (opzionale).
Nel caso di installazione in versione filtrante deve comunque essere montato un tubo per la fuoriuscita dell'aria dal pensile.
- EN** - Installing the carbon-zeolite filter (optional).
In the case of installation in a filter version, an air outlet pipe must in any case be fitted to the wall unit.
- DE** - Installation des Kohlenstoff-Zeolith-Filter (Option)
Bei der Installation in einer Filterausführung muss in jedem Fall ein Luftauslassrohr am Oberschrank angebracht werden
- FR** - Installation du filtre charbon-zeolite (en option).
Dans le cas d'une installation en version filtrante, un tuyau d'évacuation d'air doit dans tous les cas être installé sur le meuble suspendu.
- ES** - Instalacion de filtro de carbon-zeolita (opcional).
En caso de instalación en versión filtrante, en cualquier caso debe instalarse un tubo para la salida del aire en el mueble de pared.
- RU** - Установка угольного цеолитного фильтра (дополнительного).
В случае установки в исполнении с фильтром, навесной блок в любом случае должен быть оснащен воздуховыпускной трубой.
- PL** - Instalacja filtra węglowo-zeolitowego (opcjonalna).
W przypadku instalacji wersji z filtrem, szafka wisząca musi być w każdym przypadku wyposażona w rurę wylotu powietrza.
- NL** - Installatie zeoliet-/koolstoilter (optie).
Bij installatie in een filteruitvoering moet er in ieder geval een luchtafvoerpijp vanuit de hangkast worden gemonteerd.
- PT** - Instalação filtro carvão-zeolito (opcional).
Em caso de instalação numa versão com filtro, deve ser sempre montado um tubo de saída de ar na parede.
- DA** - Installation af zeolit-kulilteret (valgfrít).
I tilfælde af installation af en filterversion skal der under alle omstændigheder monteres et rør til luftudledning fra overskabet.
- SV** - Installation kol-zeolilter (tillval).
Vid installation i filterutförande måste i alla fall ett luftutloppsrör monteras på väggenheten.
- FI** - Hiili-zeoliittisuodattimen asennus (lisavaruste).
Jos laite asennetaan suodatinversioon, seinäyksikköön on joka tapauksessa asennettava ilman poistoputki.
- NO** - Installasjon av karbon-zeolitt-ilter (ekstrautstyr).
Ved installasjon i en filteringsversjon må det monteres et luftutløpsrør på veggeneheten.



SAFETY INSTRUCTIONS AND WARNINGS



Installation operations are to be carried out by skilled and qualified installers in accordance with the instructions in this booklet and in compliance with the regulations in force.

DO NOT use the hood if the power supply cable or other components are damaged: disconnect the hood from the electrical power supply and contact the Dealer or an authorised Servicing Dealer for repairs.

Do not modify the electrical, mechanical or functional structure of the equipment.

Do not personally try to carry out repairs or replacements. Interventions carried out by incompetent and unauthorised persons can cause serious damage to the unit or physical and personal harm, not covered by the Manufacturer's warranty.

WARNINGS FOR THE INSTALLER

TECHNICAL SAFETY



Before installing the hood, check the integrity and function of each part. Should anomalies be noted, do not proceed with installation and contact the Dealer.

Do NOT install the hood if an aesthetic (or cosmetic) defect has been detected. Put it back into its original package and contact the dealer.

No claim can be made for aesthetic (or cosmetic) defects once it has been installed.

During installation, always use personal protective equipment (e.g.: Safety shoes) and adopt prudent and proper conduct.

The installation kit (screws and plugs) supplied with the hood is only to be used on masonry walls: in case of installation on walls of a different material, assess other installation options keeping in mind the type of wall surface and the weight of the hood (indicated on page 2).

Keep in mind that installations with different types of fastening systems from those supplied, or which are not compliant, can cause electrical and mechanical seal danger.

Do not install the hood outdoors and do not expose it to atmospheric elements (rain, wind, etc.).

ELECTRICAL SAFETY



The electrical system to which the hood is to be connected must be in accordance with local standards and supplied with earthed connection in compliance with safety regulations in the country of use. It must also

comply with European standards regarding radio antistatic properties.

Before installing the hood, check that the electrical mains power supply corresponds with what is reported on the identification plate located inside the hood.

The socket used to connect the installed equipment to the electrical power supply must be within reach: otherwise, install a mains switch to disconnect the hood when required.

Any changes to the electrical system must be carried out by a qualified electrician.

The maximum length of the flue fastening screws (supplied by the manufacturer) must be 13 mm. Use of non-compliant screws with these instructions can lead to danger of an electrical nature.

Do not try to solve the problem yourself in the event of equipment malfunction, but contact the Dealer or an authorised Servicing Department for repairs.



When installing the hood, disconnect the equipment by removing the plug or switching off the main switch.

FUMES DISCHARGE SAFETY



Do no connect the equipment to discharge pipes of fumes produced from combustion (for example boilers, fireplaces, etc.).

Before installing the hood, ensure that all standards in force regarding discharge of air out of the room have been complied with.

Deviation for Australia and New Zeland: Range hoods and other cooking fume extractors may adversely affect the safe operation of appliances burning gas or other fuels (including those in other rooms) due to back flow of combustion gases. These gases can potentially result in carbon monoxide poisoning. After installation of a range hood or other cooking fume extractor, the operation of flued gas appliances should be tested by a competent person to ensure that back flow of combustion gases does not occur. (AS/NZS 60335.2.31:2013/A4:2020).

USER WARNINGS



These warnings have been drawn up for your personal safety and those of others. You are therefore kindly asked to read the booklet carefully in its entirety before using the or cleaning the equipment.

The Manufacturer declines all responsibility for any damage caused directly, or indirectly, to persons, things and pets as a consequence of failing to comply with the safety warnings indicated in this booklet.

It is imperative that this instructions booklet is kept together with the equipment for any future consultation.

If the equipment is sold or transferred to another person, make sure that the booklet is also supplied so that the new user can be made aware of the hood's operation and relative warnings.

After the stainless steel hood has been installed, it will need to be cleaned to remove any residues remaining from the protection adhesive as well as any grease and oil stains which, if not removed, can cause irreversible damage to the hood surface. To properly clean the unit, the manufacturer recommends using the supplied moist wipes, which are also available sold separately.

Insist on original spare parts.

INTENDED USE

The equipment is solely intended to be used to extract fumes generated from cooking food in non-professional domestic kitchens: any other use is improper. Improper use can cause damage to persons, things, pets and exempts the Manufacturer from any liability.

The equipment can be used by children over the age of 8 and by persons with reduced physical, sensory and mental abilities, or with no experience or knowledge, as long as they do so under supervision or after having received relative instructions regarding safe use of the equipment and understanding of the dangers connected to it.

Children are not to play with the equipment. Cleaning and maintenance by the user must not be carried out by children without supervision.

USE AND CLEANING WARNINGS



Before cleaning or carrying out maintenance operations, disconnect the equipment by removing the plug or switching off the main switch.

Do not use the hood with wet hands or bare feet. Always check that all electrical parts (lights, extractor fan) are off when the equipment is not being used. The maximum overall weight of any objects placed or hung (if applicable) on the hood must not exceed 1.5 Kg.

Always supervise the cooking process during the use of deep-fryers: Overheated oil can catch fire.

Do not leave open, unattended flames under the hood.

Do not prepare food over an open flame under the hood.

Never use the hood without the metal anti-grease filters: in this case, grease and dirt will deposit in the equipment and compromise its operation.

Accessible parts of the hood can be hot when used at the same time as the cooking appliances.

Do not carry out any cleaning operations when parts of the hood are still hot.

There can be a risk of fire if cleaning is not carried out according to the instructions and products indicated in this booklet.

Disconnect the main switch when the equipment is not used for long periods of time.



If other appliances that use gas or other fuels are being used at the same time (boiler, stove, fireplaces, etc.), make sure the room where the fumes are discharged is well-ventilated, in compliance with the local regulations.

INSTALLATION

only intended for qualified personnel



Before installing the hood, carefully read the chapter 'SAFETY INSTRUCTIONS AND WARNINGS'.

TECHNICAL FEATURES

The technical specifications are exhibited on the labels located inside the hood.

POSITIONING

The minimum distance between the highest part of the cooking equipment and the lowest part of the hood is indicated in the installation instructions.

Generally, when the hood is placed over gas cookers, the distance must be at least 65 cm (25.6"). However, according to standard EN60335-2-31, the minimum distance between the cooker and lower part of the hood can be reduced to the quota reported in the installation instructions.

Should the instructions for the gas cooker specify a greater distance, this must be taken into consideration.

Do not install the hood outdoors and do not expose it to outdoor environment (rain, wind, etc.).

ELECTRICAL CONNECTION

(only intended for qualified personnel)



Disconnect the equipment from electrical mains power supply before carrying out any operations on the hood.

Ensure that the wires inside the hood are not disconnected or cut: in the event of damage, contact your nearest Servicing Department.

Refer to qualified personnel for electrical connections.

Connection must be carried out in compliance with the provisions of law in force.

Before connecting the hood to the electrical mains power supply, check that:

- voltage supply corresponds with what is reported on the data plate located inside the hood;
- the electrical system is compliant and can withstand the load (see the technical specifications located inside the hood);
- the power supply plug and cable do not come into contact with temperatures exceeding 70 °C;
- the power supply system is effectively and properly connected to earth in compliance with regulations in force;
- the socket used to connect the hood is within reach.

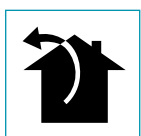
In case of:

- devices fitted with cables without a plug: the type of plug to use is a "standardised" one. The wires must be connected as follows: yellow-green for earthing, blue for neutral and brown for the phase. The plug must be connected to an adequate safety socket.
- fixed equipment not provided with a power supply cable and plug, or any other device that ensures disconnection from the electrical mains, with an opening gap of the contacts that enables total disconnection in overvoltage category III conditions.
Said disconnection devices must be provided in the mains power supply in compliance with installation regulations.

The yellow/green earth cable must not be cut off by the switch.
The Manufacturer declines all responsibility for failure to comply with the safety regulations.

FUMES DISCHARGE

EXTERNAL EXHAUST HOOD (SUCTION)



In this version the fumes and vapours are discharged outside through the exhaust pipe.
To this end, the hood outlet fitting must be connected via a pipe, to an external output.

The outlet pipe must have:

- a diameter not less than that of the hood fitting.
- a slight slope downwards (drop) in the horizontal sections to prevent condensation from flowing back into the motor.
- the minimum required number of bends.
- the minimum required length to avoid vibrations and reduce the suction performance of the hood.
You are required to insulate the pipes if it passes through cold environments. In the presence of motors with 800m³/h or higher, a check valve is present to prevent external air flowing back.

Deviation for Germany:
when the kitchen hood is used at the same time as appliances that are powered by energy other than electricity, the negative pressure in the room must not exceed 4 Pa (4 x 10⁻⁵ bar).

HOOD WITH INTERNAL RECIRCULATION (FILTERING)



In this model, air passes through the carbon and zeolite filters (optional) to be purified and is then recycled into the environment.

Ensure that the zeolite filters are assembled into the hood, if not, install them as indicated in the assembly instructions.



In this version the check valve must not be assembled: remove it if it is on the air outlet fitting of the motor.

ASSEMBLY INSTRUCTIONS

only intended for personnel qualified

WARNING: Make sure the suspended element has available front access.



The hood can be installed in various configurations.
The generic assembly steps apply to all installations; for each case, follow the specific steps provided for the required installation.

OPERATION

WHEN TO TURN ON THE HOOD?

Switch on the hood at least one minute before starting to cook to direct fumes and vapours towards the suction surface.

After cooking, leave the hood operating until complete extraction of all vapours and odours. By means of the Timer function, it is possible to set auto switch-off function which will allow the hood to turn off automatically after 15 minutes of operation.

WHICH SPEED IS TO BE SELECTED?

1st speed: maintains the circulation of clean air with low electricity consumption.

2nd speed: normal conditions of use.

3rd speed: presence of strong odours and vapours.

4th speed: rapid disposal of odours and vapours.

With a view to reducing environmental impact, it is suggested to always set the minimum speed suitable for the required suction level.

WHEN SHOULD THE FILTERS BE WASHED OR REPLACED?

The metal filters must be cleaned every 30 hours of operation.

For further details see the "MAINTENANCE" chap.

TOUCH PUSHBUTTON PANEL



	ON/OFF (Blue led steady on) Motor on/off and Speed 1 Motor OFF Long impulse: change light tone from 2700K to 5600K
	Speed 2 activation
	Speed 3 activation
	Speed 4 is only active for a few minutes, then speed 3 activates.
	Light on/off Short impulse: turn light on and off Long impulse: adjust intensity
	TIMER (LED flashing) Auto switch-off after 15 min. The function deactivates (LED off) if: - The motor turns off (key). - The speed is changed.



If the pushbutton panel is completely inactive, before contacting the Technical assistance service, disconnect power temporarily to the appliance (about 5"), possibly by acting on the main switch, to restore normal operation.

If this measure has no effect, contact the Technical assistance service.

MAINTENANCE



Before cleaning or carrying out maintenance operations, disconnect the equipment by removing the plug or switching off the main switch.

Do not use detergents containing abrasive, acidic or corrosive substances or abrasive cloths.

Regular maintenance guarantees proper operation and performance over time. Special attention is to be paid to the **metal anti-grease filters**: frequent cleaning of the filters and their supports ensures that no flammable grease is accumulated.

CLEANING OF EXTERNAL SURFACES

You are advised to clean the external surfaces of the hood **at least once every 15 days** to prevent oily substances and grease from sticking to them. To clean the brushed stainless steel hood, the Manufacturer recommends using "Magic Steel" wipes.

Alternatively **and for all the other types of surfaces**, it can be cleaned using a damp cloth, slightly moistened with mild, liquid detergent or with any detergent supplied with the appliance.

Complete cleaning by rinsing well and drying with soft cloths.



Do not use too much moisture or water around the push button control panel and lighting devices in order to prevent humidity from reaching electronic parts.

The glass panels can only be cleaned with specific, non-corrosive or non-abrasive detergents using a soft cloth.

The Manufacturer declines all responsibility for failure to comply with these instructions.

CLEANING OF INTERNAL SURFACES



Do not clean electrical parts, or parts related to the motor inside the hood, with liquids or solvents.

For the internal metal parts, see the previous paragraph.

METAL ANTI-GREASE FILTERS

It is advised to **frequently** wash the metal filters (**at least once a month**) leaving them to soak in boiling water and cleaning solution for 1 hour, taking care not to bend them.

Do not use corrosive, acid or alkaline detergents.

Rinse them well and wait for them to be completely dry before reassembling them.

Washing in a dishwasher is permitted, however, it may cause the filter material to darken: to reduce this, use washes at low temperatures (60°C max.) **without detergent**.

To extract and insert the metal anti-grease filters see the assembly instructions.

CARBON AND ZEOLITE FILTERS (OPTIONAL)

For the service life and regeneration of filters, refer to the specific instructions supplied with their packaging.

Wait until the filter cools before reassembling it.



Metal structure



In the event of **incorrect** installation of the KACL960 activated charcoal filter (plastic structure), it must not be washed or regenerated, but replaced and must absolutely not be placed in the oven.

LIGHTING

The range hood is equipped with high efficiency, low consumption LED lighting with extremely long duration under normal use conditions.

In case of failure, contact the Dealer or an authorised Servicing Department for repairs.

DISPOSAL AFTER END OF USEFUL LIFE



The crossed-out trash or refuse bin symbol on the appliance means that **the product is WEEE**, i.e. "Waste electrical and electronic equipment", accordingly **it must not be disposed of with regular unsorted waste** (i.e. with "mixed household waste"), but it must be disposed of separately so that it can undergo specific processing for its re-use, or a specific treatment, to remove and safely dispose of any substances that may be harmful to the environment and remove the raw materials that can be recycled. Proper disposal of these products contributes to saving valuable resources and avoid potential negative effects on personal health and the environment, which may be caused by inappropriate disposal of waste.

You are kindly asked to contact your local authorities for further information regarding the designated waste collection points nearest to you. Penalties for improper disposal of such waste can be applied in compliance with national regulations.

INFORMATION ON DISPOSAL IN EUROPEAN UNION COUNTRIES

The EU WEEE Directive was implemented differently in each country, accordingly, if you wish to dispose of this appliance we suggest contacting your local authorities or dealer to find out what the correct method of disposal is.

INFORMATION ON DISPOSAL IN NON-EUROPEAN UNION COUNTRIES

The crossed-out trash or refuse bin symbol is only valid in the European Union: if you wish to dispose of this appliance in other countries, we suggest contacting your local authorities or dealer to find out what the correct method of disposal is.



WARNING!

The Manufacturer reserves the right to make changes to the equipment at any time and without prior notice. Printing, translation and reproduction, even partial, of this manual are bound by the Manufacturer's authorisation.

Technical information, graphic representations and specifications in this manual are for information purposes and cannot be divulged.

This manual is written in Italian. The Manufacturer is not responsible for any transcription or translation errors.